

Watlow's New WATCONNECT® SERIES C1 Control Panel is Quickly Configured for 1 or 2 Loops

Watlow's WATCONNECT® SERIES C1 is a new extension to the WATCONNECT standard control panel family. It is a simple to order, simple to setup, single-phase standard control panel that is quickly configured for 1 or 2 loops and delivered within two weeks. WATCONNECT control panels integrate Watlow's high-quality temperature controller and power controller products for a complete thermal solution.

Watlow® customers will be impressed with the speed and ease of specifying, selecting, pricing, ordering and delivery. WATCONNECT standard control panels are flexible and scalable pre-engineered solutions intended to be used with resistive thermal loads.

Features and Benefits

Full documentation provided for all WATCONNECT control panels at the time of quotation

- Eliminates lengthy approval process and phone calls

WATCONNECT enclosure easily mounts to wall or frame

- Decreases installation time

Terminal block located inside the panel

- Provides easy access for input entries

Bottom power entries

- Allows for easy connections inside the panel

IP-20 finger-safe construction

- Decreases chance of electrical shock for service and maintenance personnel



Features and Benefits (con't)

Fast acting fuses

- Protects sensitive solid state components from damaging currents

Carbon steel and fiberglass reinforced polyester enclosure materials available

- Offers economical solution for the user's application

Supports a wide variety of sensor inputs including ASTM thermocouple Types J, K and T, 3 wire 100 ohm RTD and 4 to 20mA process input

- Provides the customer a variety of process signals to ensure compatibility with field equipment

Watlow process temperature controller coupled with the DIN-A-MITE® power switching device provides superior thermal performance through tight process temperature control

- Delivers full system solution for a variety of applications

WATCONNECT C1 SERIES Standard Control Panels Include:

- UL®/cUL® listed control panels for installation in indoor and non-hazardous locations
- Configurable for 1 or 2 thermal loops, 18 full load amps per loop
- 120/240V, single phase power
- FRP enclosure (single loop 4X option)
- Carbon steel (single or 2 loop Type 4)
- Wall or frame mount enclosures with hinged door, sized to accommodate bottom power entry
- Limited access and increased safety through the use of mechanical latches that secure the hinged door to the enclosure
- Fused branch circuit protection ensures protection of system load and panel components
- EZ-ZONE® PM6 process control with integrated high limit reduces complexity
- DIN-A-MITE® family of solid state SCR power switching devices with zero cross output firing and touch-safe terminals provide outstanding reliability
- Safety mechanical contactor(s) removes power to system load in the event of a high limit and/or safety situation
- Process controllers come pre-programmed for the configured options and operation, reducing overall set-up time

- Operator interface features:
 - Illuminated control power on/off switch (one per panel) for increased visibility of control status (status determination at a glance)
 - Illuminated heater enables (one for each control loop) increases visibility of heater power status (status determination at a glance)
 - Illuminated heater high temperature light
 - Main power disconnect (optional)
- Weight chart

Weight Per Panel	
FRP single loop	24 lbs
Carbon steel single loop	38 lbs
Carbon steel two loop	42 lbs

Environment (Indoor applications only)

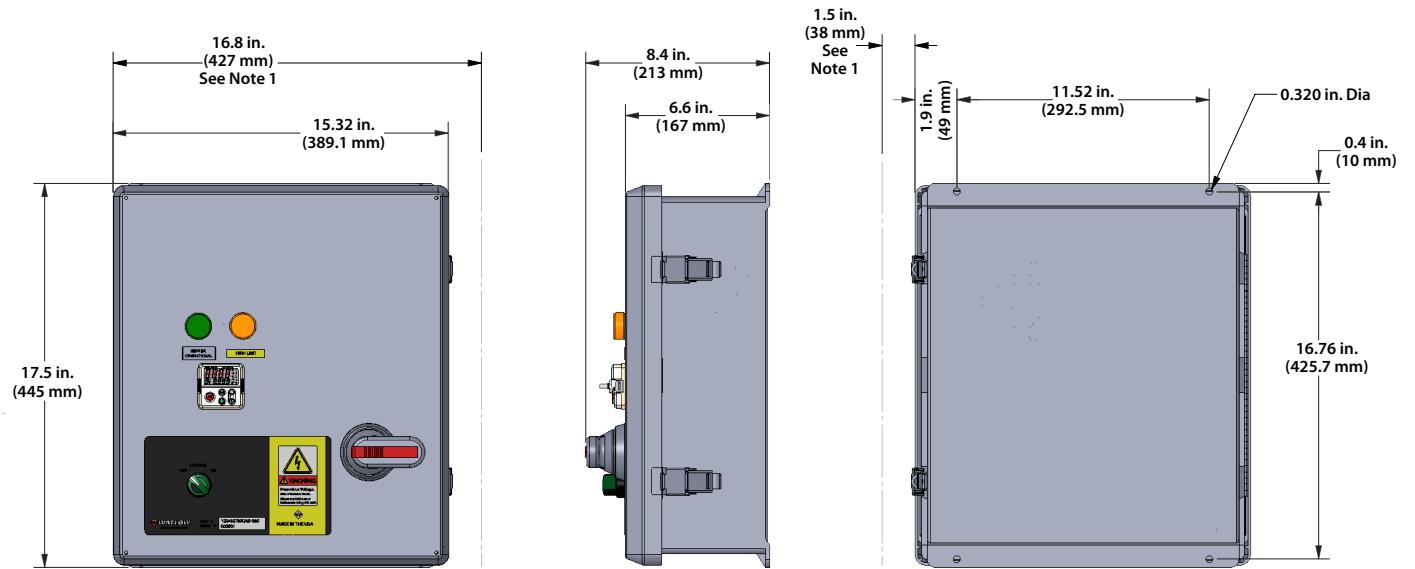
- Operating temperature: 0 to 104°F (-18 to 40°C)
- Storage temperature: -40 to 185°F (-40 to 85°C)
- Relative humidity: 0 to 90%, non-condensing

Agency Approvals

- Preconfigured and certified to UL®/cUL® certified/listed for non-hazardous locations
- Non-hazardous panels certified to one or more of the following:
 - Type 4, 4X, 1, 12 and IP65 (indoor use)

Dimensional Drawings

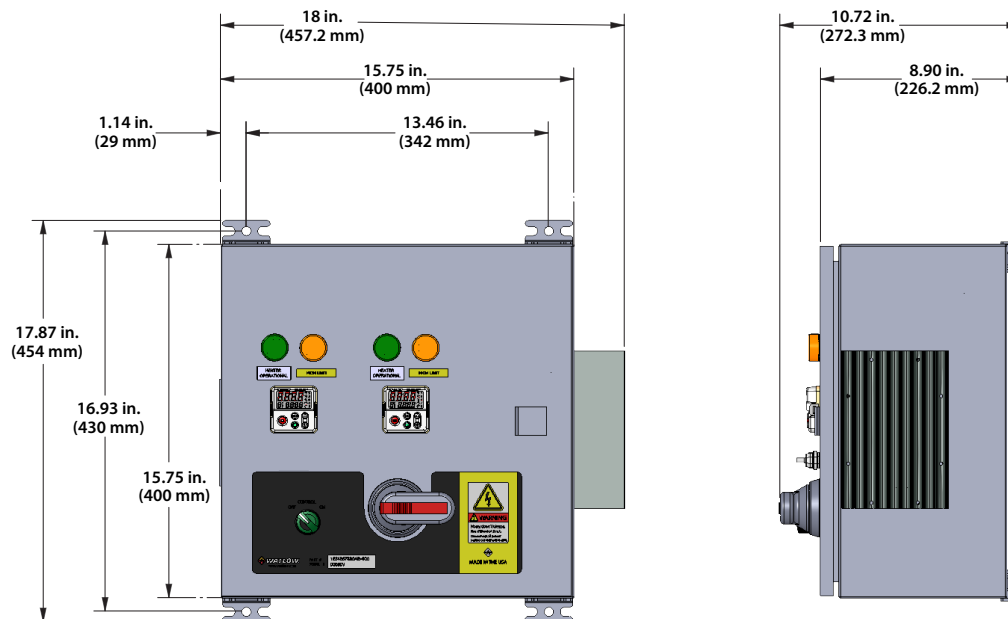
Single-Loop, FRP Enclosure (4X Option)



Note 1. Allowance for locking latch travel.

Note: Shown with optional main disconnect.

Single and Two-Loop Carbon Steel Enclosure (Two Loop Shown)



Note: Shown with optional main disconnect.

Ordering Information

WATCONNECT C1 Extra Small—Non-Hazardous Location (Indoor Only)

SERIES C1
Extra small, non-hazardous control panel

Standard Features					
SCCR	Process Controller Type	Control Mode	Hi Limit(s) per Loop/Zone	Operators	Communications
5KAIC	EZ-ZONE PM6	PID	1	Std	Remote shutdown input + Std bus connection (to TBs)

Configurations						Standard Options			
	Total # of Control Loops or Zones	Total # of Branch Circuits in Panel	Full Load Amps/ Branch Circuit	# Phases Switched	Branch Load Connection(s)	Enclosure	Hi-Limit Type	Main Disconnect	Certification
Base 1	1	1	18	1	Power distribution block (7 connections/ branch)	Carbon steel (Type 4/1/12/IP65)	Integrated (with process controller)	None (on/off switch)	UL®/cUL® listed for non-hazardous environment
Base 2	1	2	18 (36 total amps)	1	Power distribution block (7 connections/ branch)	Carbon steel (Type 4/1/12/IP65)	Integrated (with process controller)	None (on/off switch)	UL®/cUL® listed for non-hazardous environment
Base 3	2	2	18 (36 total amps)	1	Power distribution block (7 connections/ branch)	Carbon steel (Type 4/1/12/IP65)	Integrated (with process controller)	None (on/off switch)	UL®/cUL® listed for non-hazardous environment

Voltage (must select one)
120V single phase (power + neutral + ground)
240V single phase (power + power + ground)

Process Sensor (must select one)
K
RTD
J
T
4-20mA

Limit Sensor (must select one)
K
RTD
J
T
4-20mA

Enclosure Option
FRP Type 4X/1/12/IP65 (one branch circuit only)

Hi-Limit Option
Discrete (separate controller)

Disconnect Option
Main power disconnect switch with lock out/tag out handle (not fuse protected)

Certification Option
Future option

Communications Accessory Option
USB to Std Bus cord/convertor (cord in box)

Watlow®, WATCONNECT®, DIN-A-MITE® and EZ-ZONE® are registered trademarks of Watlow Electric Manufacturing Company.
UL® and cUL® are registered trademarks of Underwriter's Laboratories, Inc.

Powered by Possibility



To be automatically connected to the nearest North American Technical Sales Office:
1-800-WATLOW2 • www.watlow.com
inquiry@watlow.com

International Technical Sales Offices:

Austria	+43 6244 20129 0	India	+91 40 6661 2700
China	+86 21 3532 8532	Italy	+39 02 458 8841
France	+33 1 41 32 79 70	Japan	+81 3 3518 6630
Germany	+49 7253 9400 0	Korea	+82 2 2169 2600

Mexico	+52 442 256 2200
Singapore	+65 6773 9488
Spain	+34 91 675 1292
Taiwan	+886 7 288 5168
UK	+44 115 964 0777